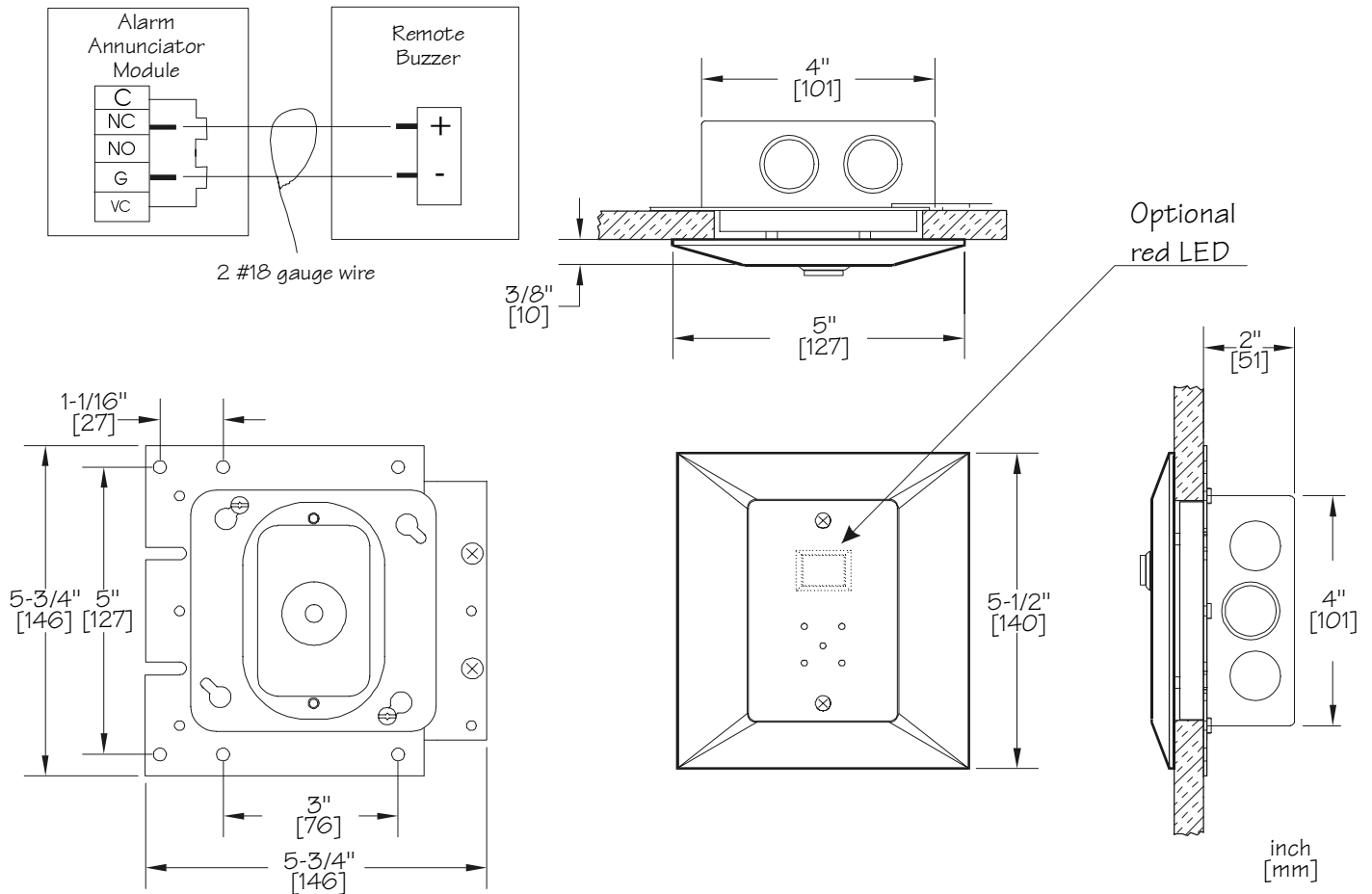


## D I M E N S I O N S



## M O D E L N U M B E R S

- Remote Alarm: ..... **A2-REM-ALARM**
- Remote Alarm with red LED: ..... **A2-REM-AL-LED**
- Blank Plate with Electrical back box: ..... **O-WAL-BLANK**

Note: The remote buzzer can be ganged together with Amico wall outlets

## D I S T R I B U T E D B Y :