

## SPECIFICATIONS:

The Medical Gas Ambulance outlet shall be an Amico **Alert-1** series.

Medical Gas Ambulance outlets shall be gas specific and permanently labeled for the services indicated.

All outlets meet applicable requirements of "Federal Specification for Ambulances" **KKK-A-1822C**. Amico ambulance outlets comply with NFPA-99.

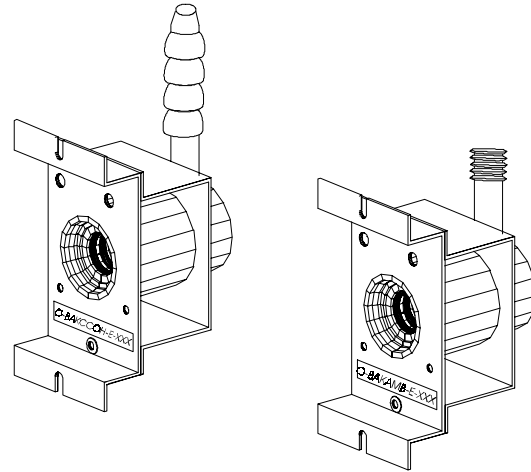
For positive pressure gas services, the outlet shall be equipped with a primary and secondary check valve and the secondary check valve shall be rated at a minimum 200 psi [1,379 kpa] in the event the latch valve assembly is removed for maintenance. Outlet bodies shall be gas specific by indexing each gas service to a gas specific dual pin indexing arrangement on the respective identification module.

The gas inlet tube of the outlet body shall be a hose barb fitting to permit connection of either 1/4" or 5/16" I.D. flexible hose with a crimp type ferrule or gas specific DISS connection brazed to the back body of the gas outlet which will allow a gas specific hose to be attached to the connection.

A large color coded front plate shall be used for ease of gas identification and aesthetic appeal.

The latch/valve assembly shall be Ohmeda Diamond Quick Disconnect, Chemetron Quick Connect, Puritan-Bennett Quick Disconnect, or DISS compatible and accept only corresponding type gas specific adapters.

All outlets shall be cleaned and degreased for medical gas service, factory assembled and tested, **UL** listed and **CSA** approved.



## FEATURES:

- Compensates for installation depth variations.
- 360 degree swivel inlet connection.
- Gas specific indexing.
- 100% tested for flow, leaks and connector retention.
- Gas specific rough-in accepts either:
  - Puritan-Bennett,
  - Ohmeda,
  - Chemetron, or
  - DISS
- UL Listed and CSA approved.



## PROJECT:

---

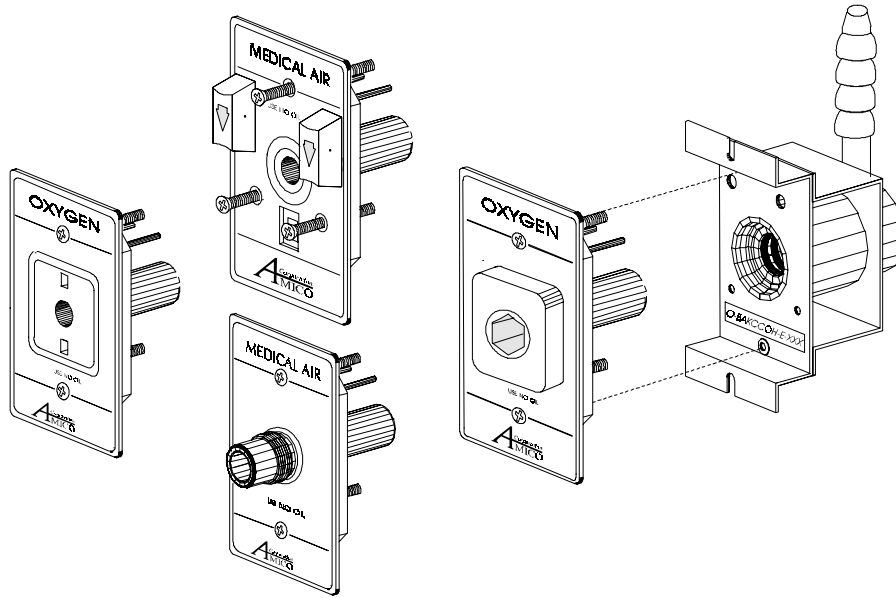


---



---

# D I M E N S I O N S



**A** Series  
**ALERT-1**

## M O D E L N U M B E R S

### LATCH-VALVE ASSEMBLY

- QD = Ohmeda compatible
- CH = Chemetron compatible
- PB = Puritan-Bennett compatible
- DI = DISS

**O-FASC-QD-E-XXX**

- E = English (ISO Colors)
- F = French (ISO Colors)
- U = English (USA Colors) Oxy, Air or Vac only.

The XXX defines the Gas:

- Oxygen = OXY
- Medical Air = AIR
- Vacuum = VAC
- Nitrous Oxide = N2O
- Evacuation = EVA
- \*Carbon Dioxide = CO2
- \*Nitrogen = NIT

### ROUGH-IN ASSEMBLY

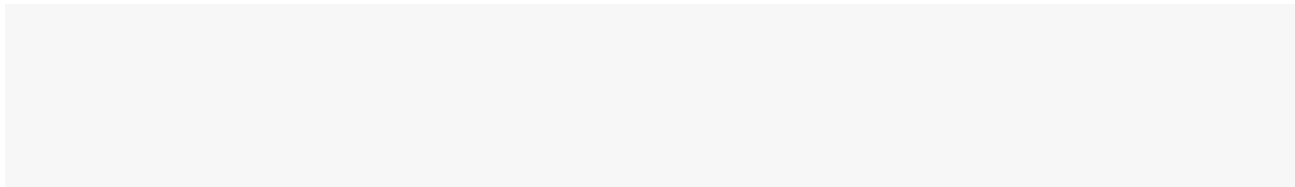
**O-BAKCOND-E-XXX** (DISS connection)

**O-BAKCONB-E-XXX** (1/4 Hose Barb connection) \* = Available only in DISS

**O-BAKCONH-E-XXX** (5/16 Hose Barb connection)

- E = English (ISO Colors)
- F = French (ISO Colors)
- U = English (USA Colors) Oxy, Air or Vac only.

## D I S T R I B U T E D B Y :



21-121 Granton Drive, Richmond Hill, Ontario, L4B 3N4, Canada  
 Phone: (905) 764-0800, Fax: (905) 764-0862, Web Site: <http://www.amico.com/>